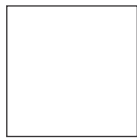


Leer DCC Commercial

Compact Short Bed	----	\$1451.00
Compact Long Bed	----	\$1493.00
Full Size Short Bed	----	\$1493.00
Ful Size Long Bed	----	\$1556.00
Super Duty Short Bed	----	\$1549.00
Super Duty Long Bed	----	\$1604.00

All prices plus tax and installation

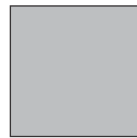
Standard Colors



Polar White



YZ White



Dove Grey



Black

Additional Axalta Base Clear Coat Automotive paint: \$

Additional Tri-Coat paint: **Add \$**

DCC FRONT OPTIONS: Consider needed visibility, accessibility and security.



Solid Front Wall (Standard)



Front Radius Picture Window



Front Radius Sliding Window



DCC Front Rectangular Picture Window



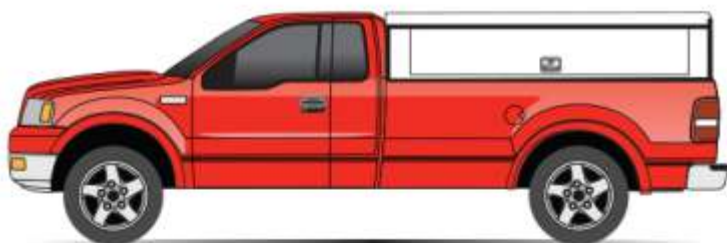
DCC Front Rectangular Sliding Window



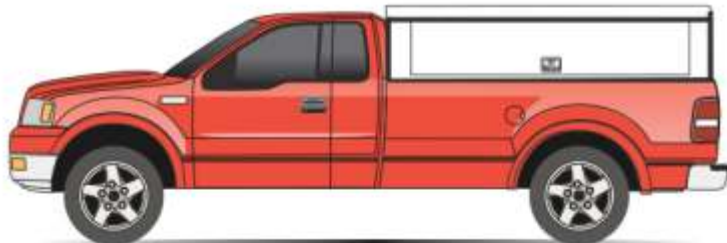
DCC Front Security Screen

Picture Window ONLY

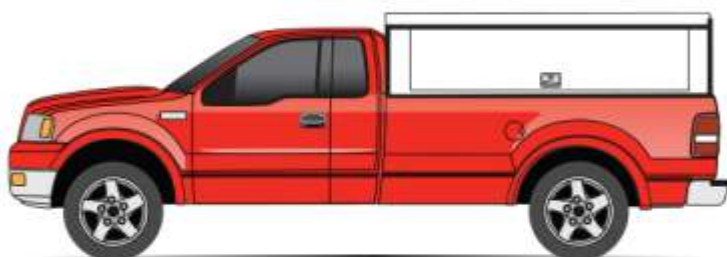
DCC HEIGHT OPTIONS: Important factors to consider when selecting the right height for your needs: headroom, accessibility and storage capacity.



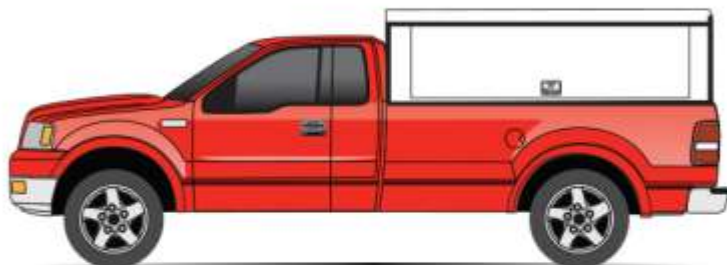
- 23" High – Compact (Standard)
- 23" High – Full Size (Standard)
- 26" High – Super Duty (Standard)



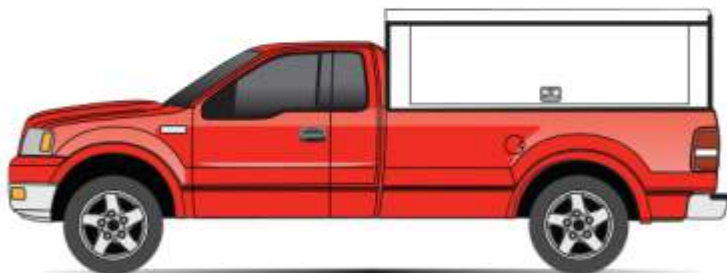
- 26" High Rise – Compact
- 26" High Rise – Full Size
- 20" High - 2015+ Colorado/Canyon & 2017 Tacoma only (Standard)



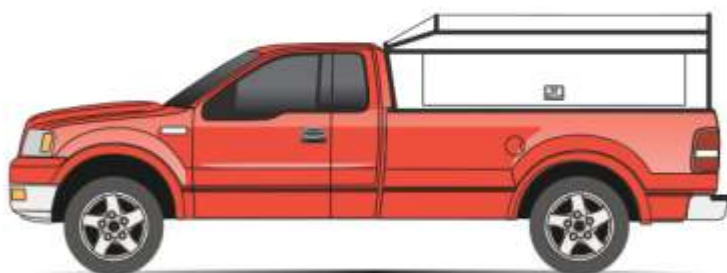
- 30" High Rise – Compact
- 30" High Rise – Full Size
- 30" Super Duty



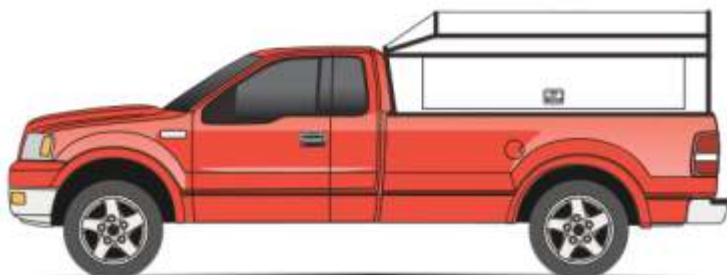
- 36" High Rise – Compact
- 36" High Rise – Full Size
- 36" Super Duty



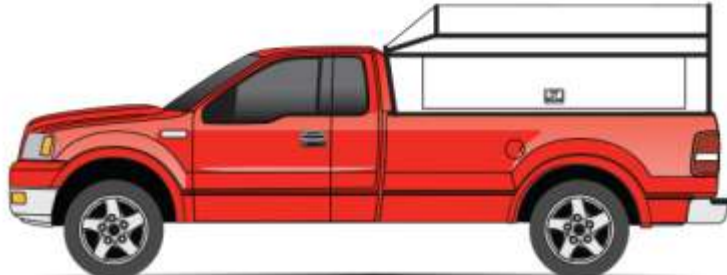
- 40" High Rise – Full Size
- 40" Super Duty



- 23" - 26" Wedge – Compact
- 23" - 26" Wedge – Full Size

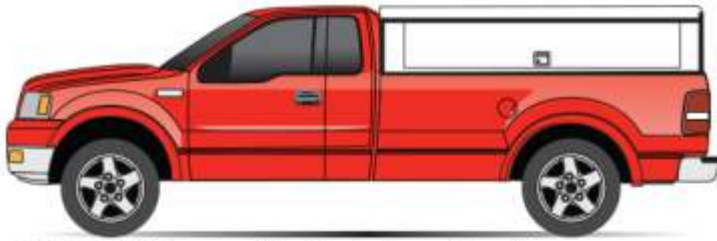


- 23" - 30" Wedge – Compact
- 23" - 30" Wedge – Full Size
- 26" - 30" Super Duty



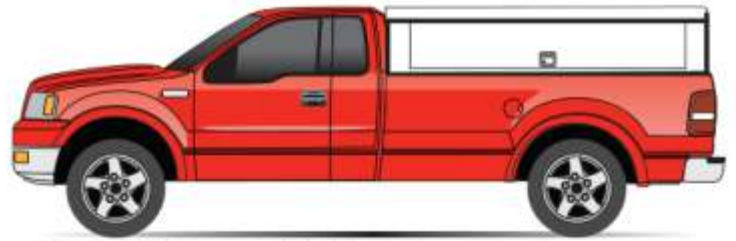
- 23" - 36" Wedge – Compact
- 23" - 36" Wedge – Full Size
- 26" - 36" Super Duty

DCC SIDE OPTIONS: Choose from a variety of side options to customize your DCC.



Side Lift Door with Stainless Steel Drop T-Handle and Bolt Lock (Standard)

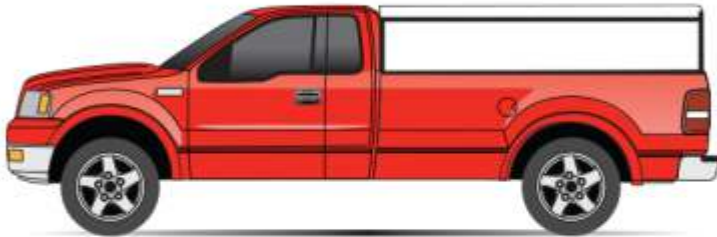
Drivers Side Passengers Side



Side Lift Door with Stainless Steel Drop T-Handle with Bolt Lock

66" for 8' Truck Beds (Optional)

Drivers Side Passengers Side

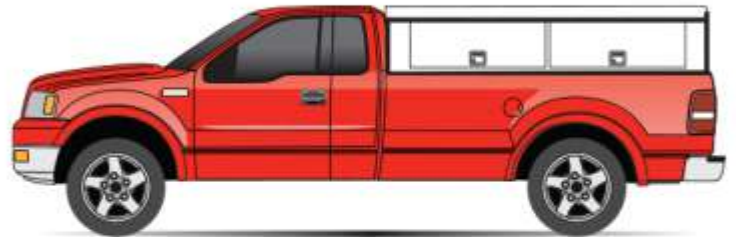


Solid Sides (Delete side door)

Drivers Side Passengers Side

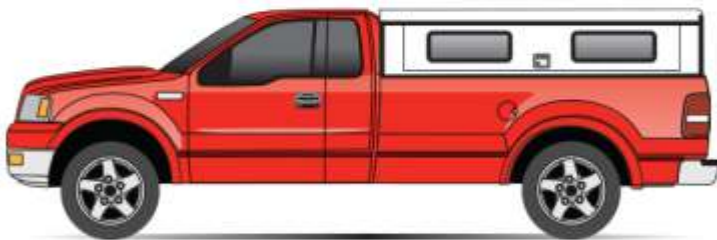
Solid Side Metal Skin Interior

Drivers Side Passengers Side



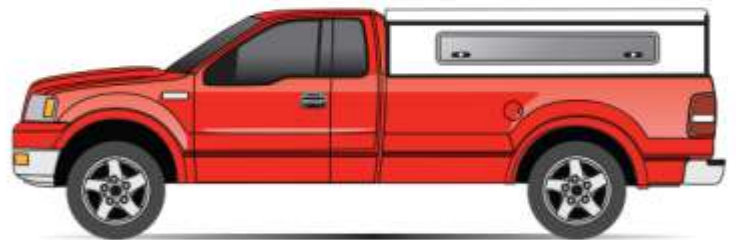
40" Double Side Doors (Long beds only)

Drivers Side Passengers Side



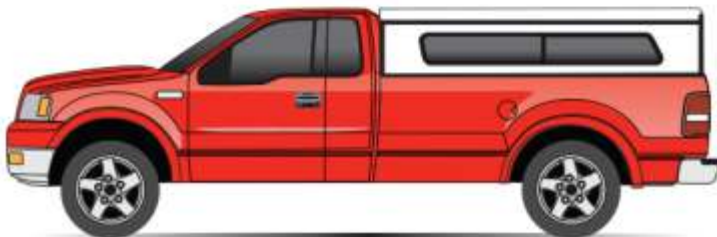
Side Lift Door with Two Side Radius Windows

Drivers Side Passengers Side



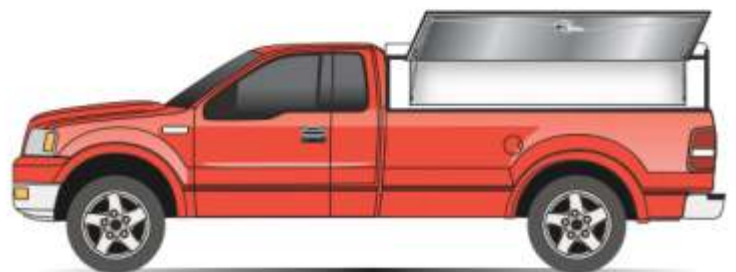
Radius Side Window

Drivers Side Passengers Side



Radius Side Sliding Window

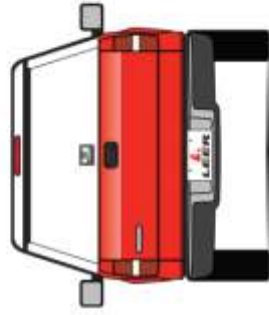
Drivers Side Passengers Side



Side Door Metal Skin Interior

Drivers Side Passengers Side

DCC REAR OPTIONS: Consider security, visibility and access requirements when selecting rear options.



Solid Half Door (Standard)



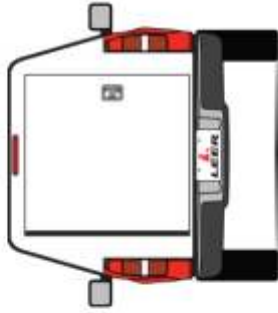
Half Door with Radius Picture Window



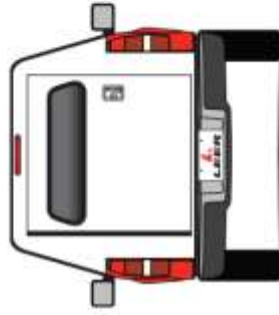
Double Full Doors



Double Full Doors with Two Long Radius Windows



Single Full Door



Single Full Door with Radius Picture Window



Hatchback Full Door



Hatchback Door with Radius Picture Window



Rear Security Screen



Metal Skin Interior Door **ONLY**

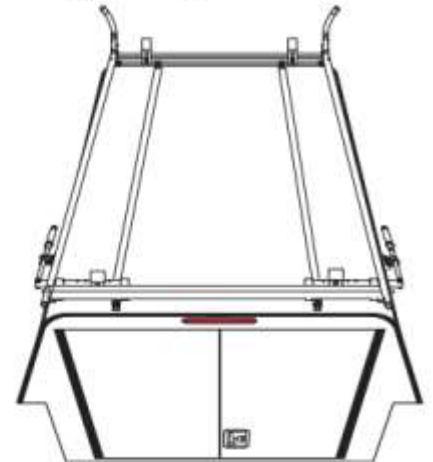
DCC RACK OPTIONS: Select the rack that fits your application.



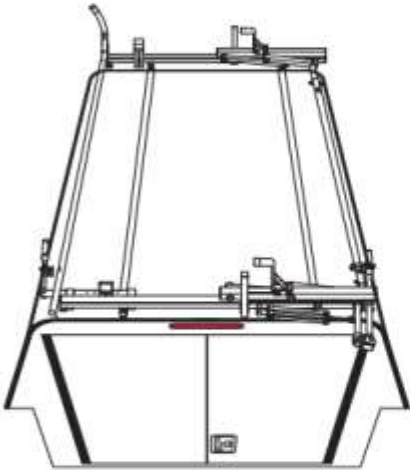
*LEER DCC Six
Position Mount Welded
Aluminum Ladder Rack*



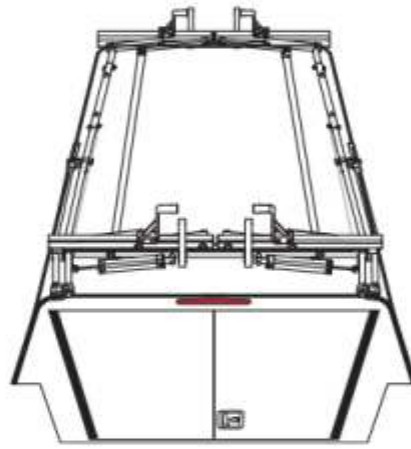
*ErgoRack™ Single
Clamping Ladder Rack*



*ErgoRack™ Double
Clamping Ladder Rack*



*ErgoRack™ Single
Clamping/Single
Rotation Ladder Rack*



*ErgoRack™ Dual
Rotation Ladder Rack*



*AluRack™
Ladder Rack*



*CapRac™ Commercial
Rack System by TracRac
with Load Stops*



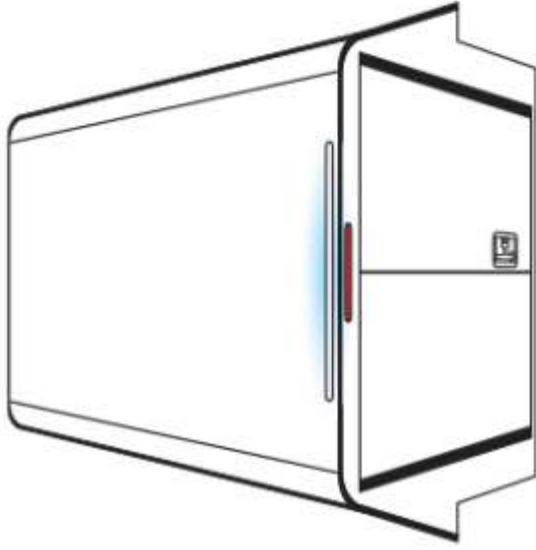
*Kargo Master Pro III
Cap Mount Rack*



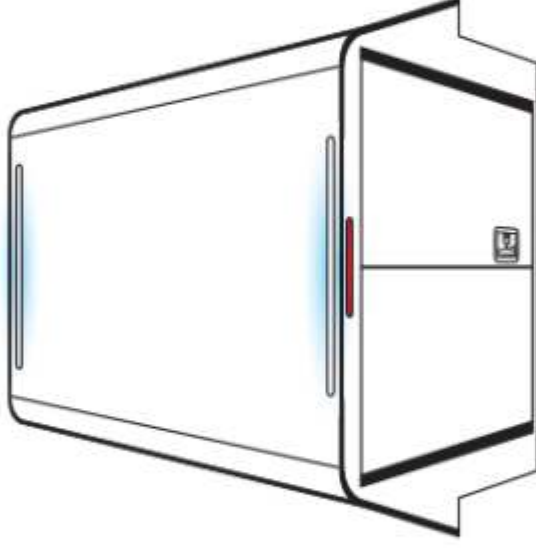
*Thule® Tracker II
Rack with Locks*

ALL RACKS MUST BE ORDERED WITH SHELL

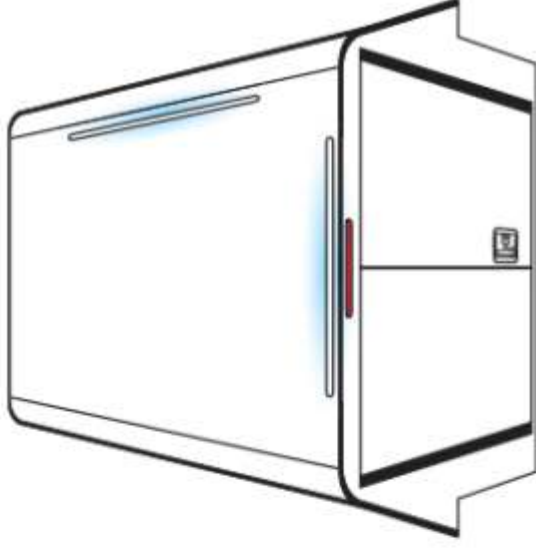
INTERIOR LED LIGHT BAR LOCATIONS:



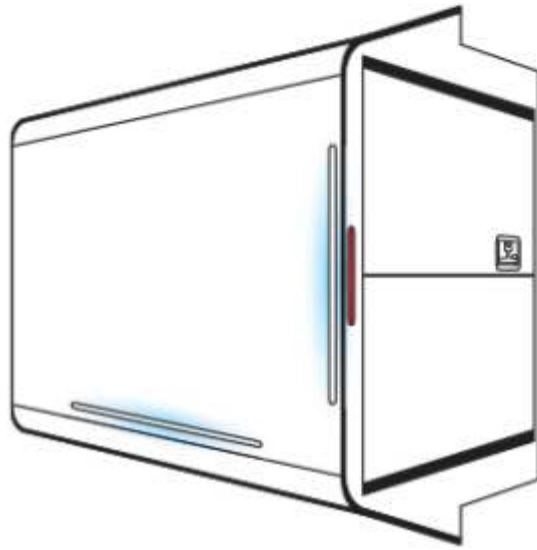
Option A



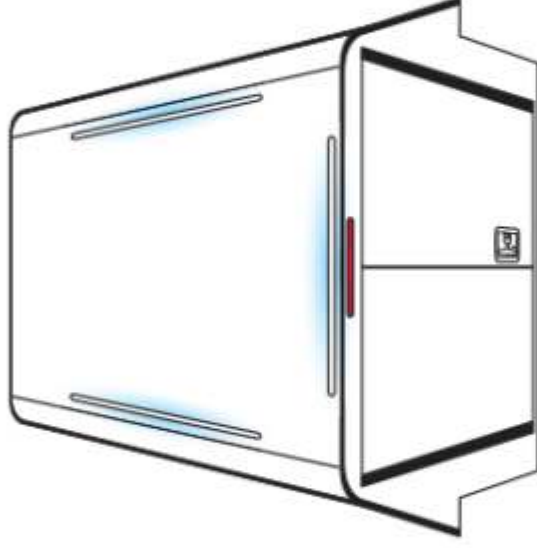
Option B



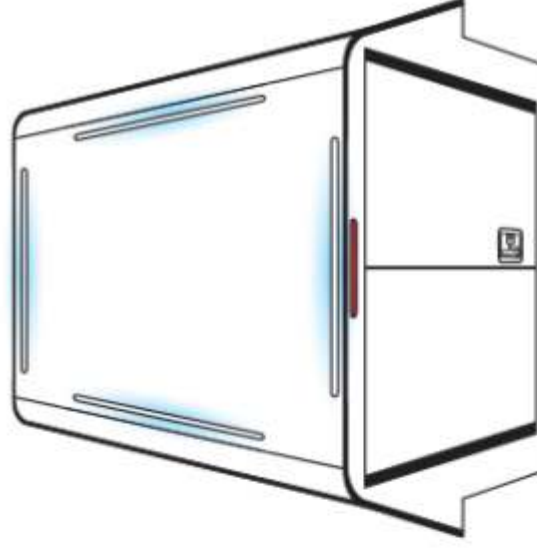
Option C



Option D



Option E



Option F

Option A



Option B



Option C



Option D



Option E



Option F



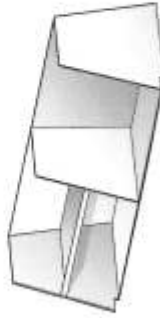
Option G



Option H



Option I



Option J



Option K



Option L



Option M



Option N



Toolbox Shelving options

Driver Side _____

Passenger Side _____

Fold-down Shelving options

Driver Side _____

Passenger Side _____

Option R



Fold-Down Half Shelf Front

Option S



Fold-Down Half Shelf Rear

Option Q



Fold-Down Full Shelf